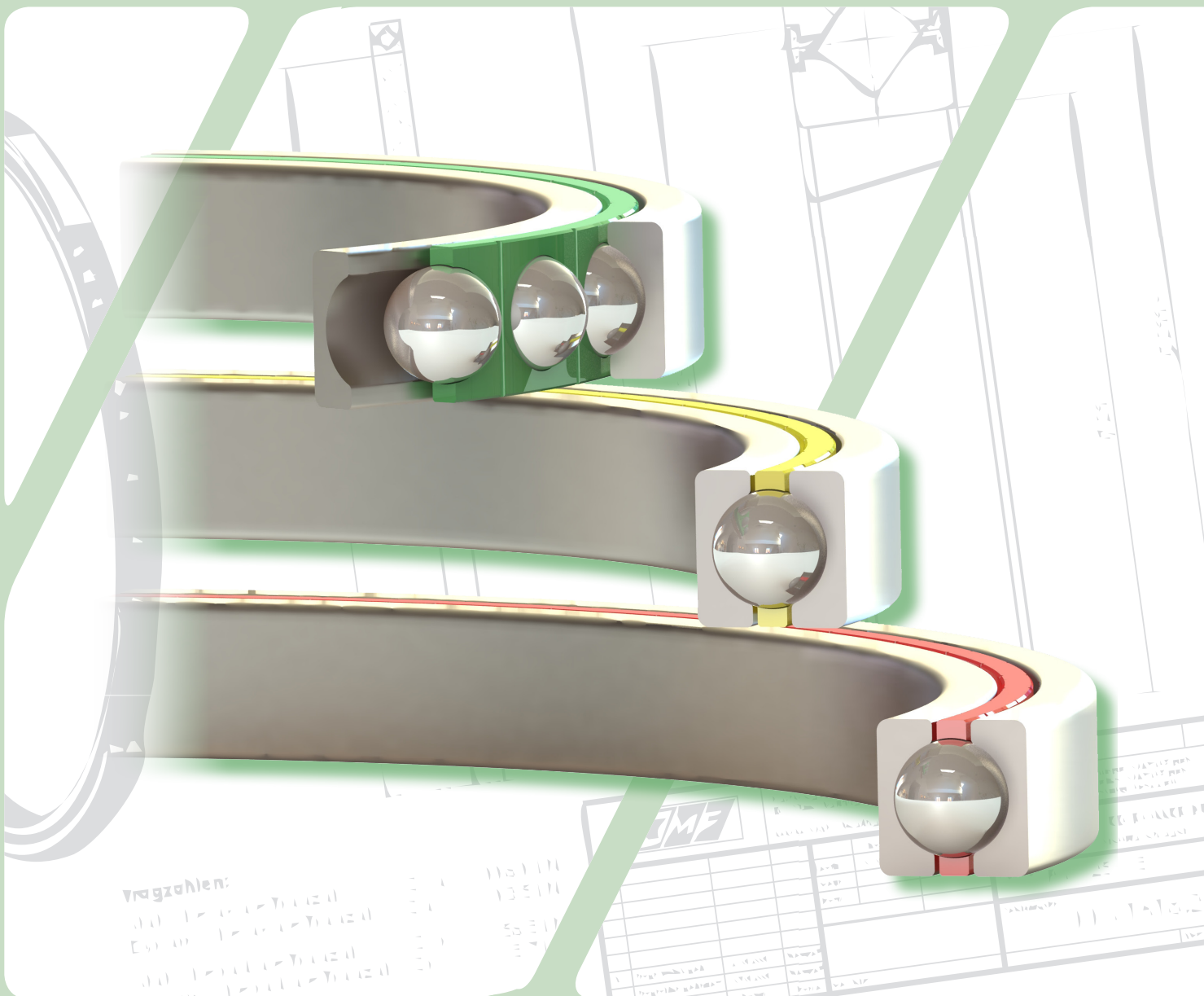
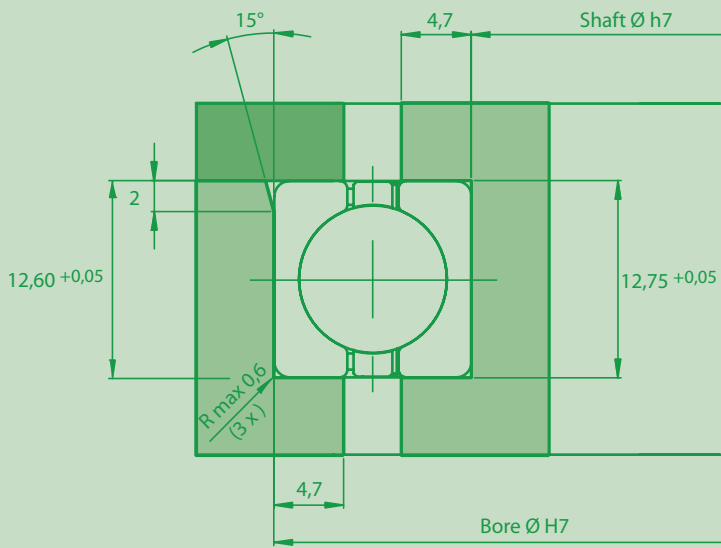


Thin ring bearing PBCD



## Fitted dimensions



## Bearing dimensions

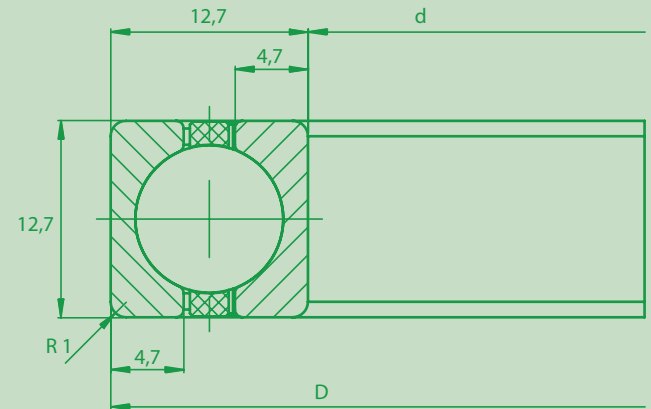


Table of dimensions (Type series PBCD)

KMF-type <sup>1)</sup>	Bearing dimension			Basic load ratings				Mass kg	Limiting speeds  $n_G$ grease min <sup>-1</sup>
				Axial		Radial			
	d		D	Dyn.	Stat.	Dyn.	Stat.		
	mm	inch	mm	$C_a$ kN	$C_{oa}$ kN	$C_r$ kN	$C_{or}$ kN		
PBCD 040	101,60	4	127,00	---	---	14,2	16,2	0,334	3300
PBCD 042	107,95	4 ¼	133,35	---	---	14,7	17,4	0,353	3100
PBCD 045	114,30	4 ½	139,70	---	---	15,1	18,7	0,371	2930
PBCD 047	120,65	4 ¾	146,05	---	---	15,2	19,3	0,390	2780
PBCD 050	127,00	5	152,40	---	---	15,7	20,6	0,408	2640
PBCD 055	139,70	5 ½	165,10	---	---	16,1	22,5	0,445	2400
PBCD 060	152,40	6	177,80	---	---	16,9	24,9	0,482	2200
PBCD 065	165,10	6 ½	190,50	---	---	17,3	27,0	0,519	2030
PBCD 070	177,80	7	203,20	---	---	17,7	28,5	0,557	1880
PBCD 075	190,50	7 ½	215,90	---	---	18,3	31,0	0,594	1760
PBCD 080	203,20	8	228,60	---	---	18,7	33,0	0,631	1650
PBCD 085	215,90	8 ½	241,30	---	---	19,0	35,0	0,668	1550
PBCD 090	228,60	9	254,00	---	---	19,6	37,5	0,705	1470
PBCD 095	241,30	9 ½	266,70	---	---	19,9	39,5	0,742	1390
PBCD 100	254,00	10	279,40	---	---	20,2	41,5	0,779	1320
PBCD 105	266,70	10 ½	292,10	---	---	20,7	44,0	0,816	1260



KMF-type <sup>1)</sup>	Bearing dimension			Basic load ratings				Mass	Limiting speeds
				Axial		Radial			
	d		D	Dyn.	Stat.	Dyn.	Stat.	kg	n <sub>G grease</sub>
	mm	inch		kN	kN	kN	kN		min <sup>-1</sup>
PBCD 110	279,40	11	304,80	----	----	21,0	45,5	0,853	1200
PBCD 115	292,10	11 ½	317,50	----	----	21,3	47,5	0,891	1150
PBCD 120	304,80	12	330,20	----	----	21,7	50,0	0,928	1100
PBCD 130	330,20	13	355,60	----	----	22,2	54,0	1,002	1010
PBCD 140	355,60	14	381,00	----	----	22,9	58,0	1,076	940
PBCD 150	381,00	15	406,40	----	----	23,5	63,0	1,150	880
PBCD 160	406,40	16	431,80	----	----	24,0	66,0	1,225	820
PBCD 170	431,80	17	457,20	----	----	24,6	71,0	1,299	780
PBCD 180	457,20	18	482,60	----	----	25,0	75,0	1,373	730
PBCD 190	482,60	19	508,00	----	----	25,5	79,0	1,447	690
PBCD 200	508,00	20	533,40	----	----	26,0	83,0	1,521	660
PBCD 210	533,40	21	558,80	----	----	26,5	87,0	1,596	630
PBCD 220	558,80	22	584,20	----	----	27,0	91,0	1,670	600
PBCD 230	584,20	23	609,60	----	----	27,5	96,0	1,744	570
PBCD 240	609,60	24	635,00	----	----	28,0	100,0	1,818	550
PBCD 250	635,00	25	660,40	----	----	28,0	104,0	1,892	530
PBCD 260	660,40	26	685,80	----	----	28,5	108,0	1,967	510
PBCD 270	685,80	27	711,20	----	----	29,0	112,0	2,041	490
PBCD 280	711,20	28	736,60	----	----	29,5	117,0	2,115	470
PBCD 290	736,60	29	762,00	----	----	30,0	121,0	2,189	450
PBCD 300	762,00	30	787,40	----	----	30,0	125,0	2,264	440
PBCD 310	787,40	31	812,80	----	----	30,5	129,0	2,338	430
PBCD 320	812,80	32	838,20	----	----	31,0	133,0	2,412	410
PBCD 330	838,20	33	863,60	----	----	31,0	137,0	2,486	400
PBCD 340	863,60	34	889,00	----	----	31,5	142,0	2,560	390
PBCD 400	1016,00	40	1041,40	----	----	34,2	167,0	3,012	330
PBCD 405	1028,70	40 ½	1054,10	----	----	34,4	169,0	3,049	330
PBCD 417	1060,45	41 ¾	1085,85	----	----	34,9	174,0	3,143	320
PBCD 420	1066,80	42	1092,20	----	----	35,0	175,5	3,162	315

1) Other dimensions on request

## Manufacturer comparative list

	Bearing dimension							
	KMF-type	d	D					
	mm	inch	mm					
PBCD 040	101,60	4	127,00	KD 040 CPO	L10TA 400T	FPCD 400	CSCD 040	----
PBCD 042	107,95	4 ¼	133,35	KD 042 CPO	L10TA 404T	FPCD 404	CSCD 042	----
PBCD 045	114,30	4 ½	139,70	KD 045 CPO	L10TA 408T	FPCD 408	CSCD 045	----
PBCD 047	120,65	4 ¾	146,05	KD 047 CPO	L10TA 412T	FPCD 412	CSCD 047	----
PBCD 050	127,00	5	152,40	KD 050 CPO	L10TA 500T	FPCD 500	CSCD 050	----
PBCD 055	139,70	5 ½	165,10	KD 055 CPO	L10TA 508T	FPCD 508	CSCD 055	----
PBCD 060	152,40	6	177,80	KD 060 CPO	L10TA 600T	FPCD 600	CSCD 060	----
PBCD 065	165,10	6 ½	190,50	KD 065 CPO	L10TA 608T	FPCD 608	CSCD 065	----
PBCD 070	177,80	7	203,20	KD 070 CPO	L10TA 700T	FPCD 700	CSCD 070	----
PBCD 075	190,50	7 ½	215,90	KD 075 CPO	L10TA 708T	FPCD 708	CSCD 075	----
PBCD 080	203,20	8	228,60	KD 080 CPO	L10TA 800T	FPCD 800	CSCD 080	----
PBCD 085	215,90	8 ½	241,30	----	----	----	----	----
PBCD 090	228,60	9	254,00	KD 090 CPO	L10TA 900YH	FPCD 900	CSCD 090	----
PBCD 095	241,30	9 ½	266,70	----	----	----	----	----
PBCD 100	254,00	10	279,40	KD 100 CPO	L10TA 1000YH	FPCD 1000	CSCD 100	----
PBCD 105	266,70	10 ½	292,10	----	----	----	----	----
PBCD 110	279,40	11	304,80	KD 110 CPO	L10TA 1100YH	FPCD 1100	CSCD 110	----
PBCD 115	292,10	11 ½	317,50	----	----	----	----	----
PBCD 120	304,80	12	330,20	KD 120 CPO	L10TA 1200YH	FPCD 1200	CSCD 120	----
PBCD 130	330,20	13	355,60	----	----	----	----	----
PBCD 140	355,60	14	381,00	KD 140 CPO	----	FPCD 1400	CSCD 140	----
PBCD 150	381,00	15	406,40	----	----	----	----	----
PBCD 160	406,40	16	431,80	KD 160 CPO	----	FPCD 1600	CSCD 160	----
PBCD 170	431,80	17	457,20	----	----	----	----	----
PBCD 180	457,20	18	482,60	KD 180 CPO	----	FPCD 1800	CSCD 180	----
PBCD 190	482,60	19	508,00	----	----	----	----	----
PBCD 200	508,00	20	533,40	KD 200 CPO	----	FPCD 2000	CSCD 200	----
↪ 250	635,00	25	660,40	KD 250 CPO	----	FPCD 2500	CSCD 250	----
↪ 300	762,00	30	787,40	KD 300 CPO	----	FPCD 3000	CSCD 300	----
↪ 340	863,60	34	889,00	----	----	----	----	----

↪ For this KMF-type series (Steps of 10) no types of other manufacturers do exist