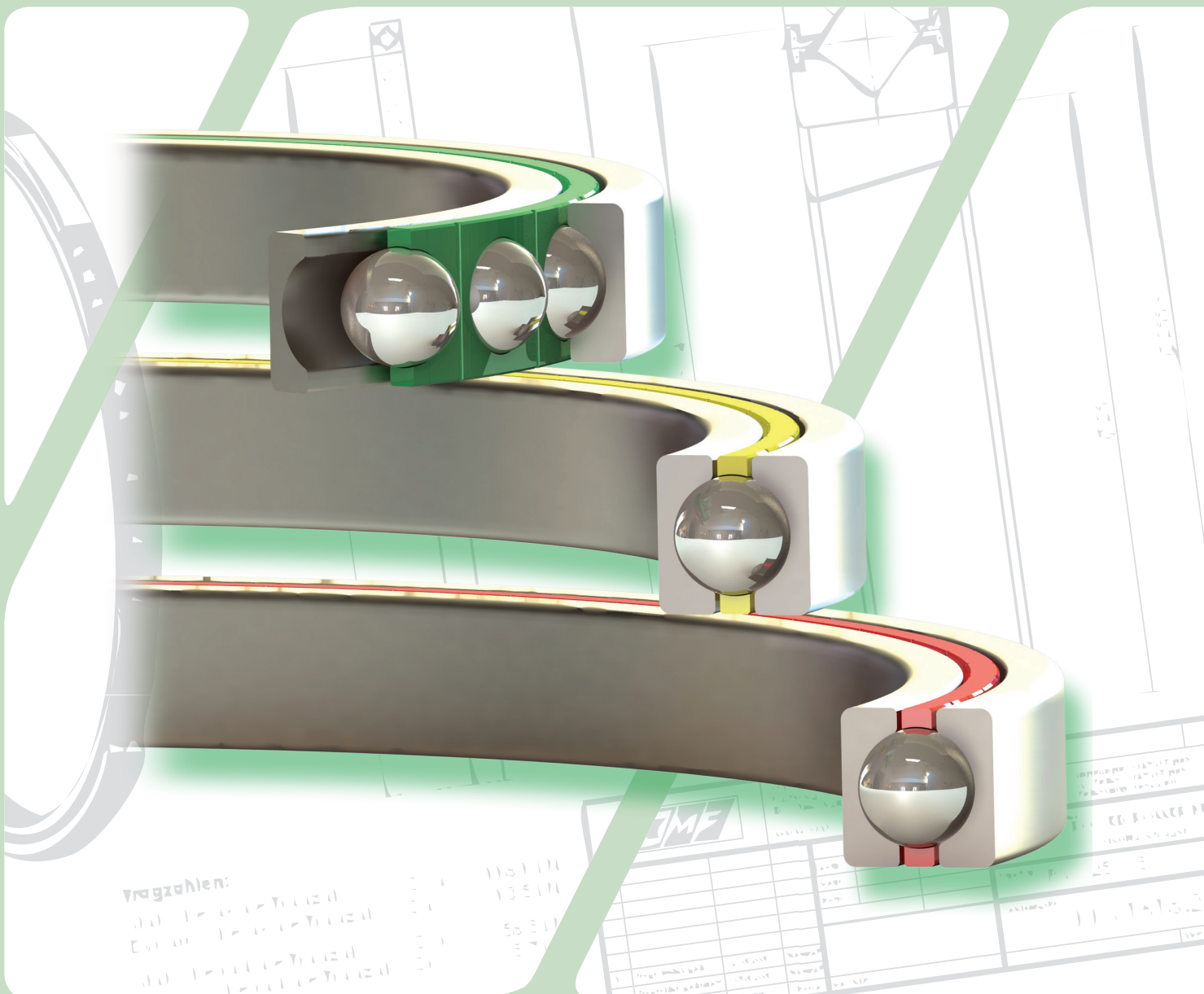
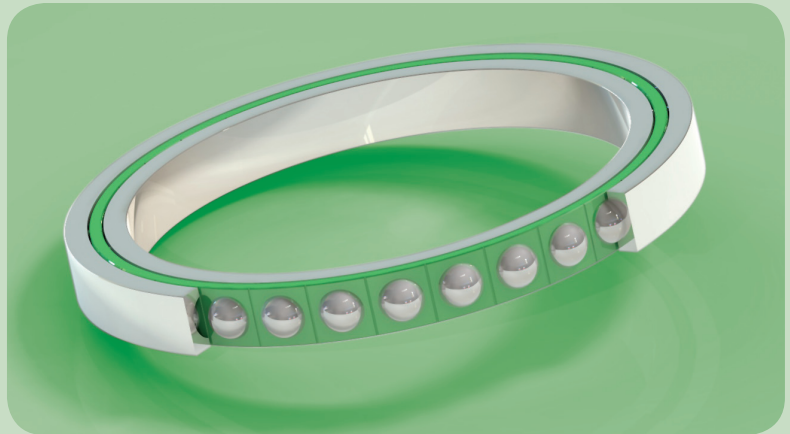
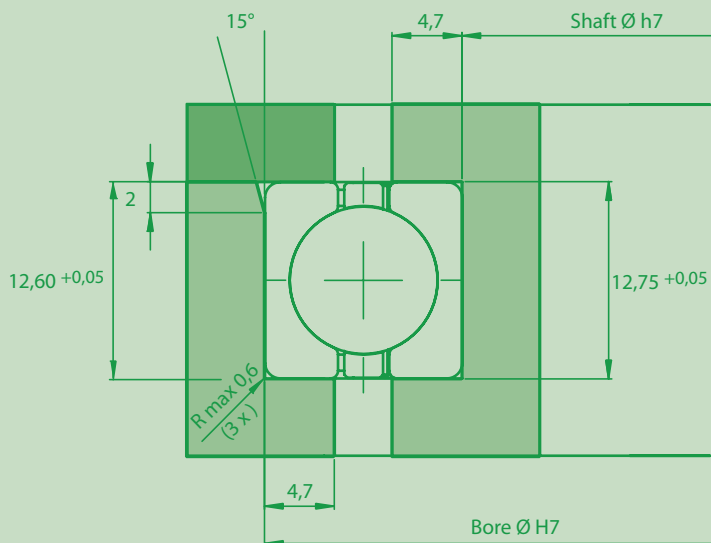


Thin ring bearing PBXCD & PBCXD

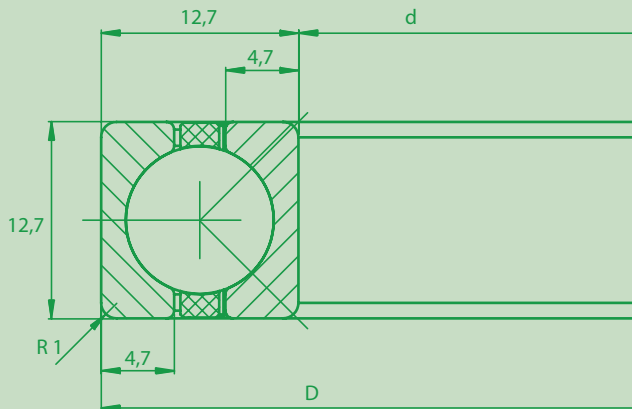


Fitted dimensions

Table of dimensions (Type series PBXCD & PBCXD)

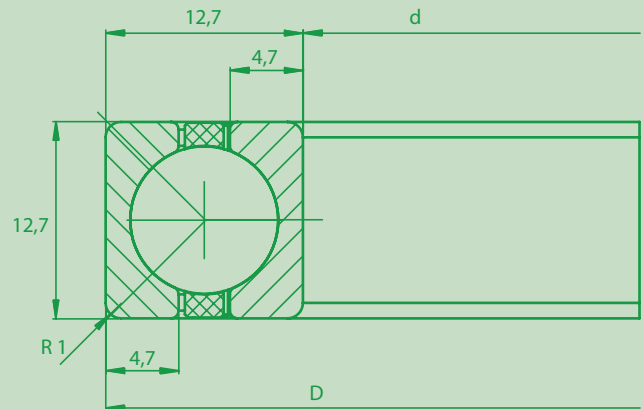
KMF-type ¹⁾	Bearing dimension			Basic load ratings				Mass	Limiting speeds
				Axial		Radial			
	d		D	Dyn.	Stat.	Dyn.	Stat.		n _{G grease}
	mm	inch	mm	C _a kN	C _{oa} kN	C _r kN	C _{or} kN		
PBXCD PBCXD 040	101,60	4	127,00	----	----	14,2	16,2	0,334	3300
PBXCD PBCXD 042	107,95	4 ¼	133,35	----	----	14,7	17,4	0,353	3100
PBXCD PBCXD 045	114,30	4 ½	139,70	----	----	15,1	18,7	0,371	2930
PBXCD PBCXD 047	120,65	4 ¾	146,05	----	----	15,2	19,3	0,390	2780
PBXCD PBCXD 050	127,00	5	152,40	----	----	15,7	20,6	0,408	2640
PBXCD PBCXD 055	139,70	5 ½	165,10	----	----	16,1	22,5	0,445	2400
PBXCD PBCXD 060	152,40	6	177,80	----	----	16,9	24,9	0,482	2200
PBXCD PBCXD 065	165,10	6 ½	190,50	----	----	17,3	27,0	0,519	2030
PBXCD PBCXD 070	177,80	7	203,20	----	----	17,7	28,5	0,557	1880
PBXCD PBCXD 075	190,50	7 ½	215,90	----	----	18,3	31,0	0,594	1760
PBXCD PBCXD 080	203,20	8	228,60	----	----	18,7	33,0	0,631	1650
PBXCD PBCXD 085	215,90	8 ½	241,30	----	----	19,0	35,0	0,668	1550
PBXCD PBCXD 090	228,60	9	254,00	----	----	19,6	37,5	0,705	1470
PBXCD PBCXD 095	241,30	9 ½	266,70	----	----	19,9	39,5	0,742	1390
PBXCD PBCXD 100	254,00	10	279,40	----	----	20,2	41,5	0,779	1320
PBXCD PBCXD 105	266,70	10 ½	292,10	----	----	20,7	44,0	0,816	1260
PBXCD PBCXD 110	279,40	11	304,80	----	----	21,0	45,5	0,853	1200



Bearing dimensions PBXCD



Bearing dimensions PBCXD



KMF-type ¹⁾	Bearing dimension			Basic load ratings				Mass	Limiting speeds	
				Axial		Radial				
	d		D	Dyn.	Stat.	Dyn.	Stat.	kg	n _{G grease} min ⁻¹	
	mm	inch	mm	C _a kN	C _{oa} kN	C _r kN	C _{or} kN			
PBXCD PBCXD	115	292,10	11 ½	317,50	----	----	21,3	47,5	0,891	1150
PBXCD PBCXD	120	304,80	12	330,20	----	----	21,7	50,0	0,928	1100
PBXCD PBCXD	130	330,20	13	355,60	----	----	22,2	54,0	1,002	1010
PBXCD PBCXD	140	355,60	14	381,00	----	----	22,9	58,0	1,076	940
PBXCD PBCXD	150	381,00	15	406,40	----	----	23,5	63,0	1,150	880
PBXCD PBCXD	160	406,40	16	431,80	----	----	24,0	66,0	1,225	820
PBXCD PBCXD	170	431,80	17	457,20	----	----	24,6	71,0	1,299	780
PBXCD PBCXD	180	457,20	18	482,60	----	----	25,0	75,0	1,373	730
PBXCD PBCXD	190	482,60	19	508,00	----	----	25,5	79,0	1,447	690
PBXCD PBCXD	200	508,00	20	533,40	----	----	26,0	83,0	1,521	660
PBXCD PBCXD	210	533,40	21	558,80	----	----	26,5	87,0	1,596	630
PBXCD PBCXD	220	558,80	22	584,20	----	----	27,0	91,0	1,670	600
PBXCD PBCXD	230	584,20	23	609,60	----	----	27,5	96,0	1,744	570
PBXCD PBCXD	240	609,60	24	635,00	----	----	28,0	100,0	1,818	550
PBXCD PBCXD	250	635,00	25	660,40	----	----	28,0	104,0	1,892	530
PBXCD PBCXD	260	660,40	26	685,80	----	----	28,5	108,0	1,967	510
PBXCD PBCXD	270	685,80	27	711,20	----	----	29,0	112,0	2,041	490

KMF-type ¹⁾	Bearing dimension			Basic load ratings				Mass	Limiting speeds	
				Axial		Radial				
	d		D	Dyn.	Stat.	Dyn.	Stat.		n _{G grease}	
	mm	inch	mm	C _a	C _{oa}	C _r	C _{or}			
				kN	kN	kN	kN	kg	min ⁻¹	
PBXCD PBCXD	280	711,20	28	736,60	----	----	29,5	117,0	2,115	470
PBXCD PBCXD	290	736,60	29	762,00	----	----	30,0	121,0	2,189	450
PBXCD PBCXD	300	762,00	30	787,40	----	----	30,0	125,0	2,264	440
PBXCD PBCXD	310	787,40	31	812,80	----	----	30,5	129,0	2,338	430
PBXCD PBCXD	320	812,80	32	838,20	----	----	31,0	133,0	2,412	410
PBXCD PBCXD	330	838,20	33	863,60	----	----	31,0	137,0	2,486	400
PBXCD PBCXD	340	863,60	34	889,00	----	----	31,5	142,0	2,560	390
PBXCD PBCXD	400	1016,00	40	1041,40	----	----	34,2	167,0	3,012	330
PBXCD PBCXD	405	1028,70	40 ½	1054,10	----	----	34,4	169,0	3,049	330
PBXCD PBCXD	417	1060,45	41 ¾	1085,85	----	----	34,9	174,0	3,143	320
PBXCD PBCXD	420	1066,80	42	1092,20	----	----	35,0	175,5	3,162	315

1) Other dimensions on request